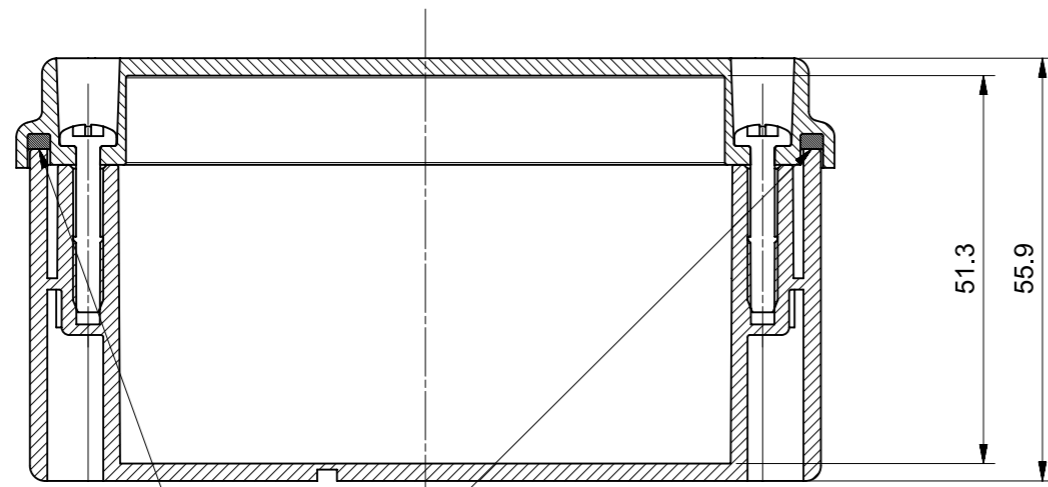
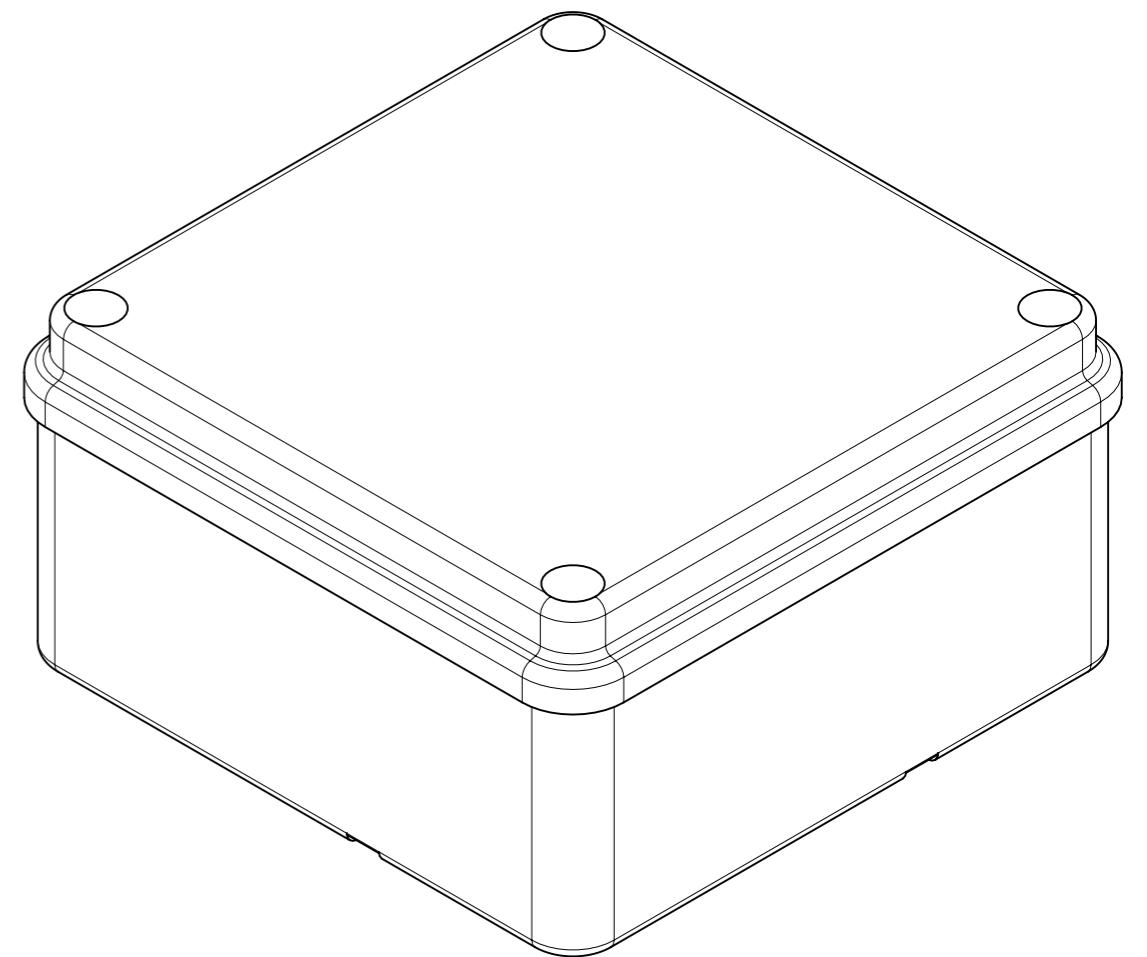
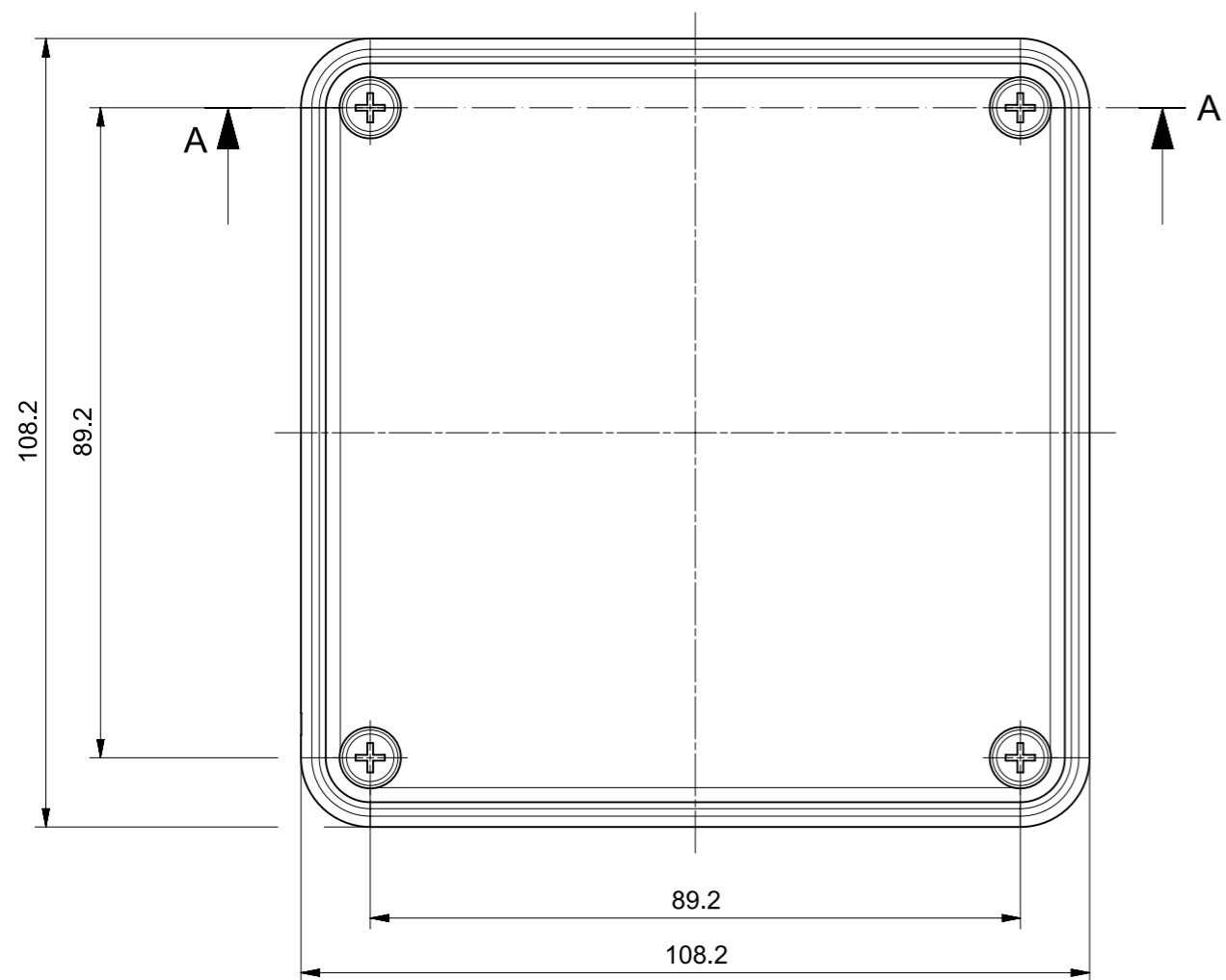


Sezione A-A



GUARNIZIONE DI TENUTA



At the end of the law, we reserve the ownership of this design may not be copied and transfer it to third parties or competitors	Format	A3	Scale	1:1	Mould N°		Drawn	SCAME	
	Tolerances for linear and angular dimensions without indication of specific tolerances: JS13 / UNI EN20286							Date	
	DESCRIPTION SCATOLA DERIVAZIONE 100x100 SENZA PASSACAVI IP56							Approved	
SCAME S.p.A. PARRE - (Bergamo)								CODICE Sheet 1 / 1	4002653