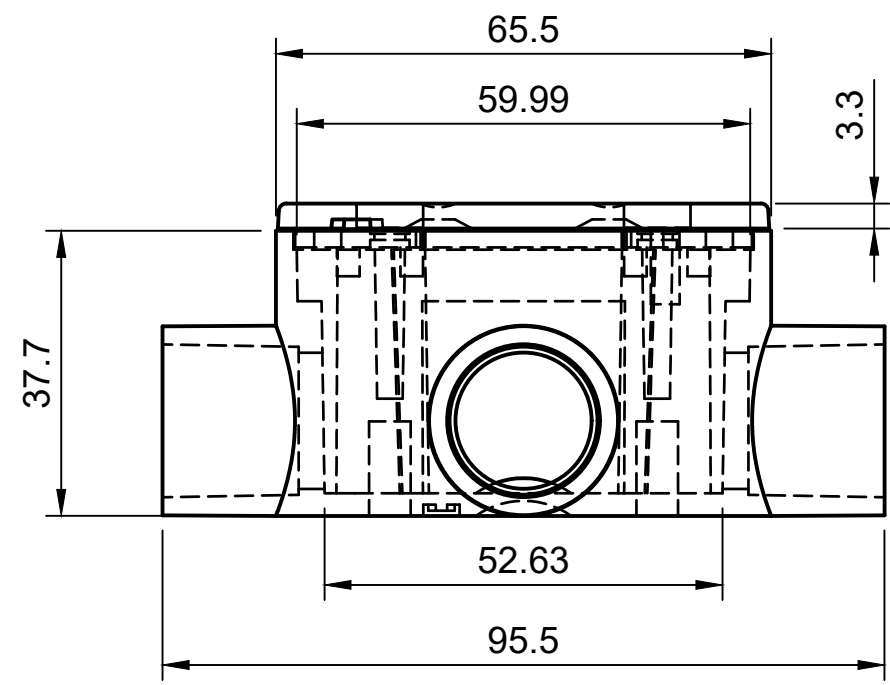
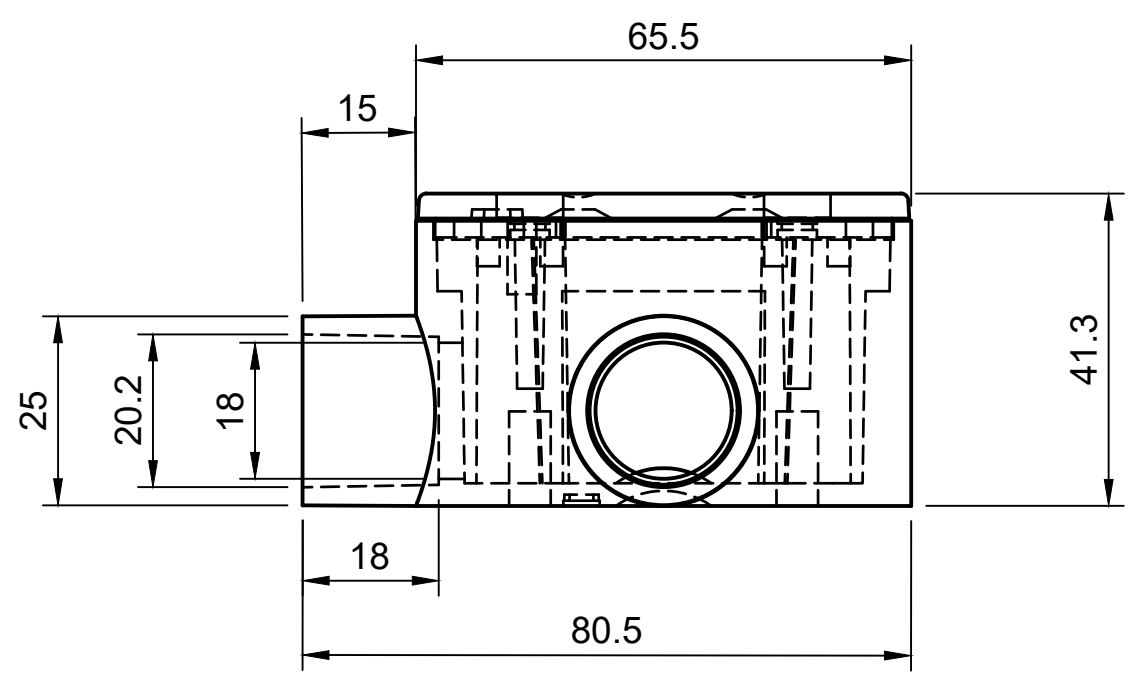


1 2 3 4 5 6 7 8

A

A

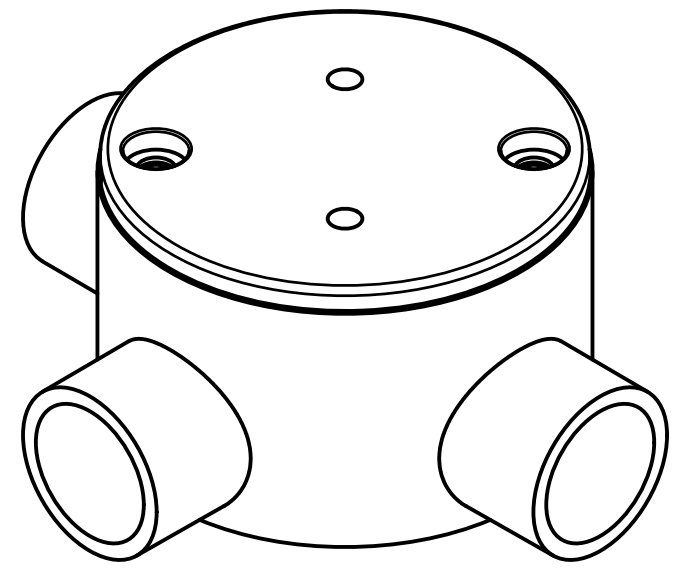
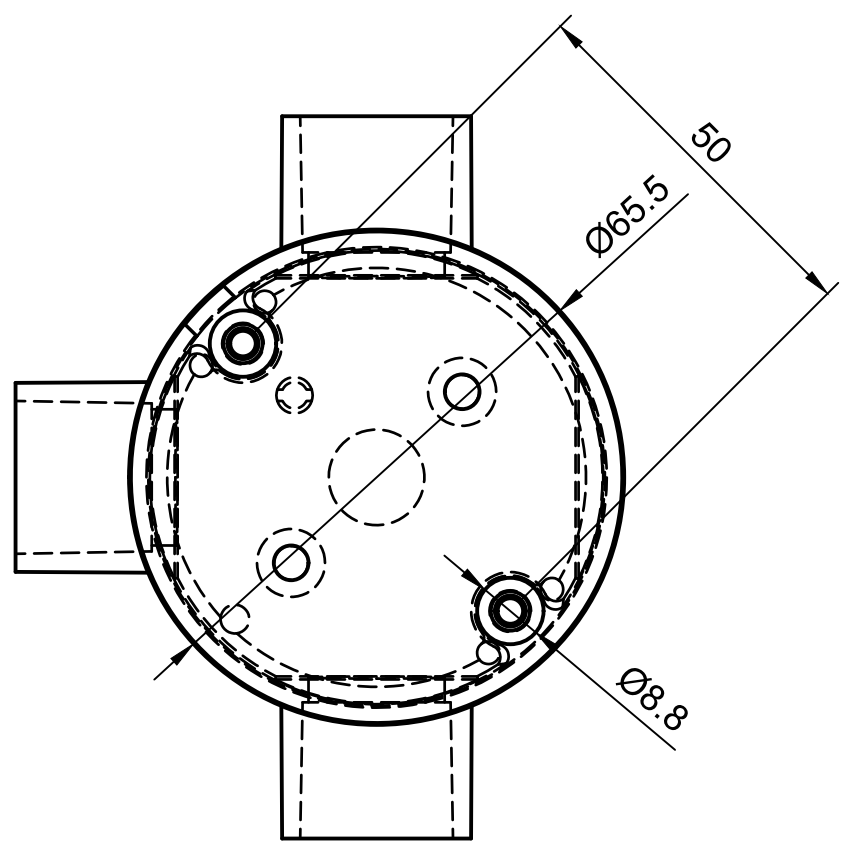


B

B

C

C



D

D

E

E

F

F

1 2 3 4 5 6 7 8



Copyright © 2019 HP Profiles. All Rights Reserved

Created by VD	12/09/2019	Scale 1:1	Page size A3
Product Code HPPJB3-20MD	Document Type TECHINCAL DRAWING		
Product Description 3 WAY CIRCULAR PVC JUNCTION BOX 20MM	DWG No. 8		
Rev. 1	Date of issue 12/09/2019	Sheet 1/1	